

Caframo® LabSolutions

1850 Ultra Torque

Power to mix high viscous/high volume batches in lab or pilot plant applications. Caframo's Ultra Torque offers the greatest torque capabilities available in a bench top stirrer.

The unique two speed transmission transfers the motor's power to the chuck with 95% efficiency. Rugged construction including a brushless DC motor, TENV metal housing and clear chemical resistant chuck guard make the Ultra Torque the perfect match for the toughest environments.

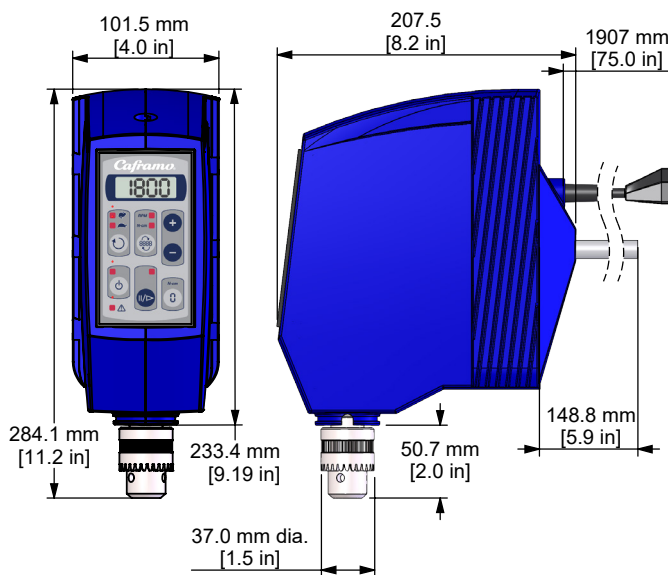
Key Specifications:

- Speed Range rpm • 12 - 1800 rpm
- Max Torque • 565 Ncm
- Max Viscosity • 90,000 cP
- Output Power • 1/15 hp, 150 watts
- Max Volume • 80 litres



Powerful
Durable
Maintenance Free

1850 Ultra Torque



Additional Specifications:

Input Power	120 volts, 60 Hz or 220-240 volts, 50/60 Hz
Motor	Brushless DC
Weight	6.82 kg
Display	Digital display, keypad
Mounting	12.5 mm Support Rod
Impeller Adjustment	Through Shaft
Impeller Attachment	Keyed chuck. Accepts shafts up to 10 mm dia
Includes	Calibration certificate, chuck, chuck guard, chuck key, support rod and power cord
Approvals	CSA listed to Canada and US standards.
Warranty	Three years

Features and Benefits:

Zero Torque Feature

- Ability to track viscosity changes
- Digital torque display, Ncm
- Simple operation and reset

Brushless DC Motor

- Continuous operation
- Quiet
- Maintenance free

Durable

- Totally enclosed, non-ventilated (TENV) rugged housing
- Cleanable
- Built to last

Applications:

- Personal care formulation
- Media Prep
- Polymers and epoxies
- Paints and coatings
- Mining hydrometallurgy

The Power you want!



Chemical synthesis

Caframo[®]
LabSolutions

1-800-567-3556 ext 248

CaframoLabSolutions.com

501273 Grey Road 1, Georgian Bluffs ON N0H 2T0 Canada